

## VALCO JACKING PUMP



JPV07SS



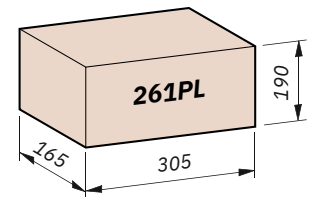
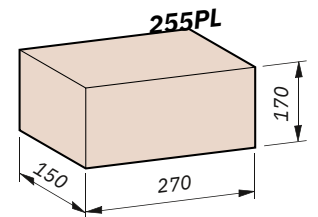
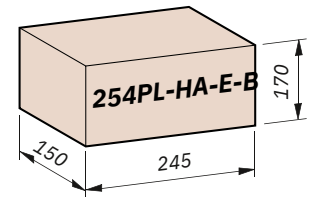
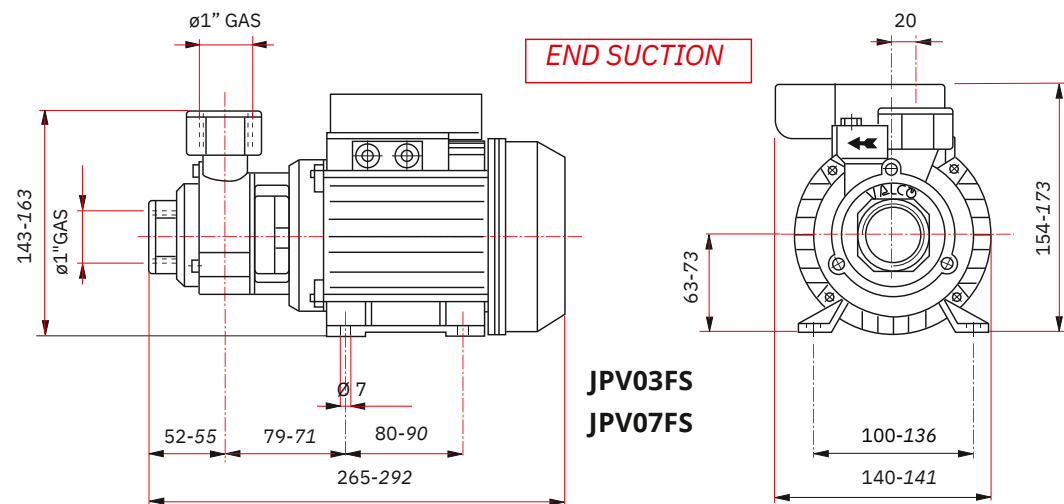
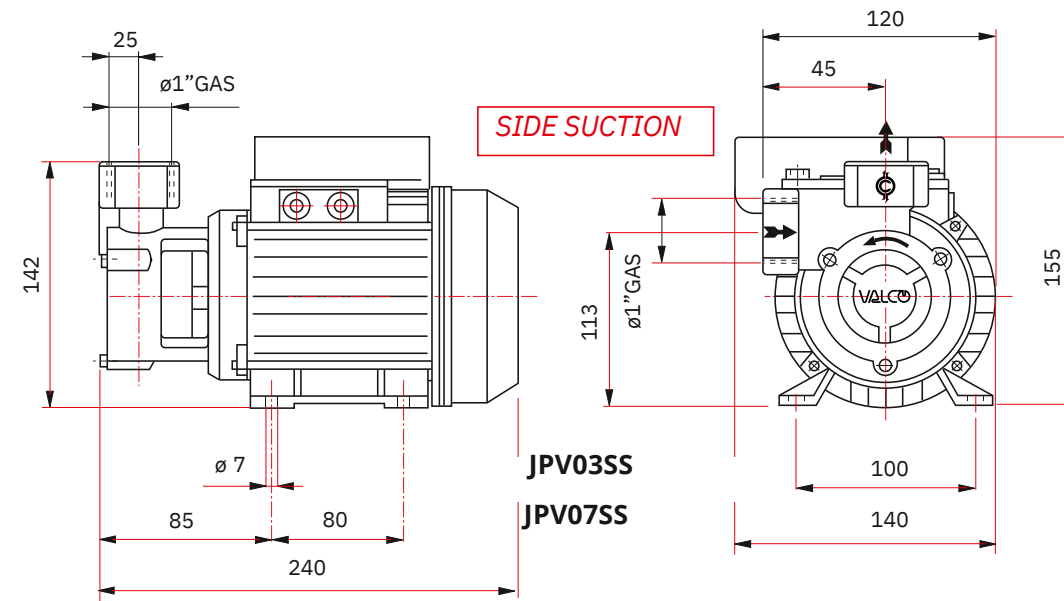
JPV03SS



JPV07FS



JPV03FS



254PL-HA-E-B = 6,15 kg  
255PL = 5,33 kg  
261PL = 9,95 kg

### Jacking Pump - Technical Data

- Q=Capacity in litres/minute with water with specific gravity of 1 kg/Dm • Hm = Head in metres • continuous duty
- max working pressure: 6 bar
- max water temperature: +50 DEG; for type 254PLHA-E-B +90 DEG C, (pump performance at +10 DEG C)
- max suction lifts: 4m at 20 DEG C

### Materials

**Body:** Cast Iron  
**Motor bracket:** Cast Iron  
**Shaft:** Stainless steel  
**Turbine:** Bronze  
**Motor:** close coupled totally enclosed fan-ventilated (T.E.F.V.) 2pole AC induction electric motor, with Class F winding and IP54 protection

### Benefits

- Low power consumption
- Compact
- Easy to Install
- High Quality
- Economical

