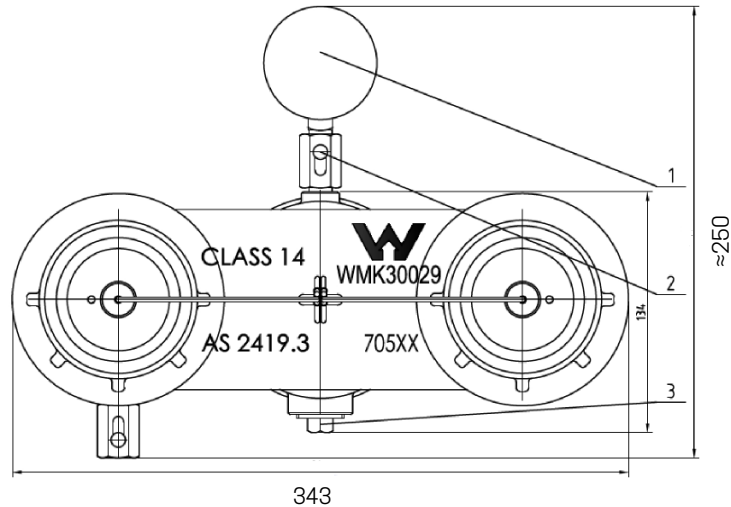
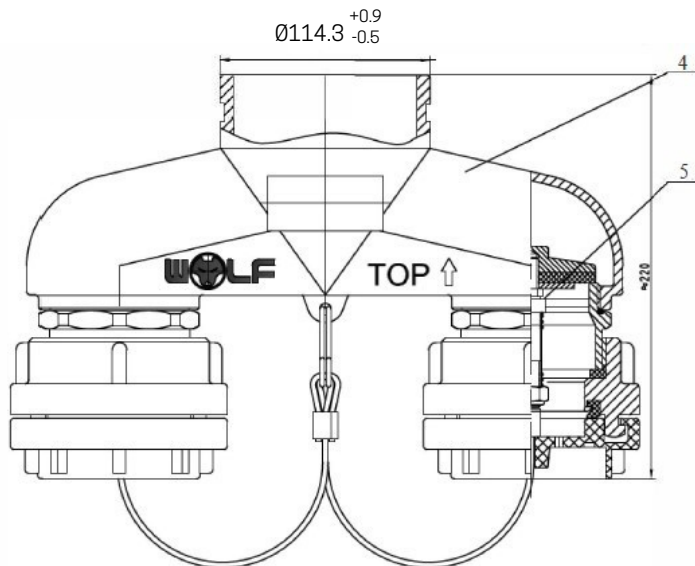
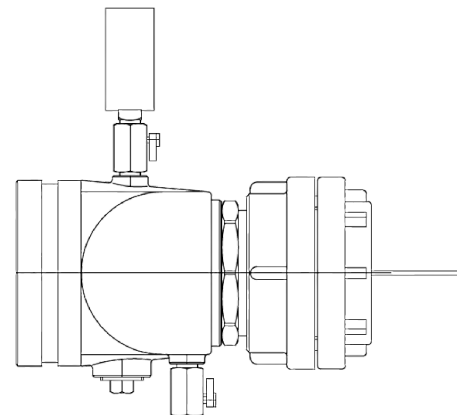


WOLF TANK BOOSTER - REAR ENTRY 100NB



FEATURES

- Fully Approved to AS2419.3
- Stainless Steel Dual Booster- Rear Outlet
- Type: 65mm Storz Inlet Connection BSP Thread
- 100mm Roll Grooved Rear Outlet
- Supplied with: plug and wire, drain tap, pressure gauge
- WaterMark number: W3002
- Working Pressure: 2100 kPa
- Maximum Working Pressure: 2650 kPa
- Onsite Test Pressure: 3150 kPa
- Weight: 7.2Kg



| Part | Material |
|------------------|--------------------------------------|
| Booster Body | Stainless Steel Grade 304 |
| Inlet Connection | Forged Alloy |
| Pressure Gauge | Stainless Steel Grade 304 oil filled |
| Drain Valve | Stainless Steel Grade 304 |
| Disc Facing | NBR Rubber |
| Blank Cup | UV Stabilised Plastic |