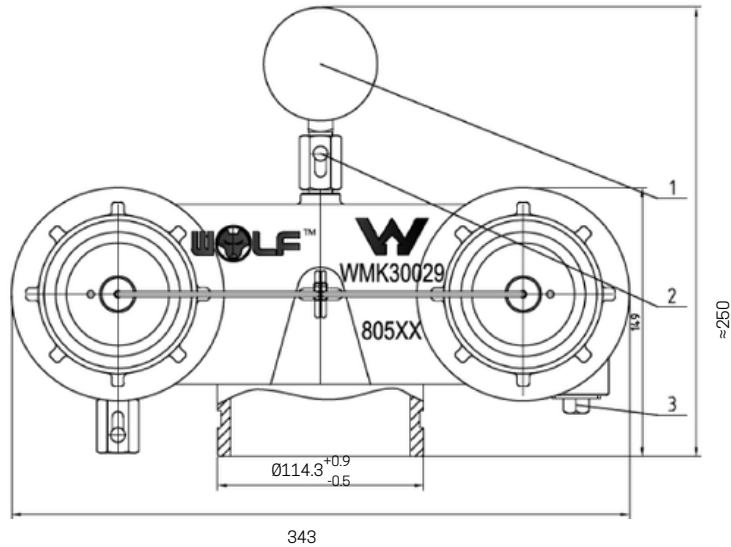
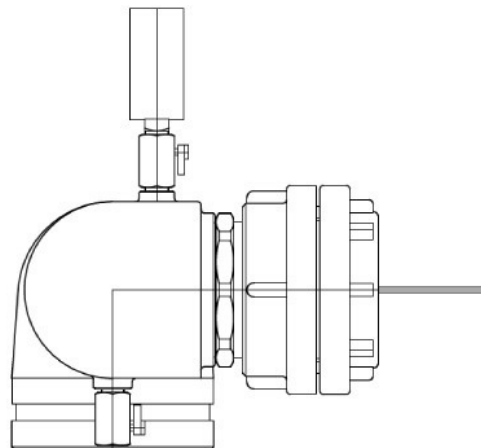
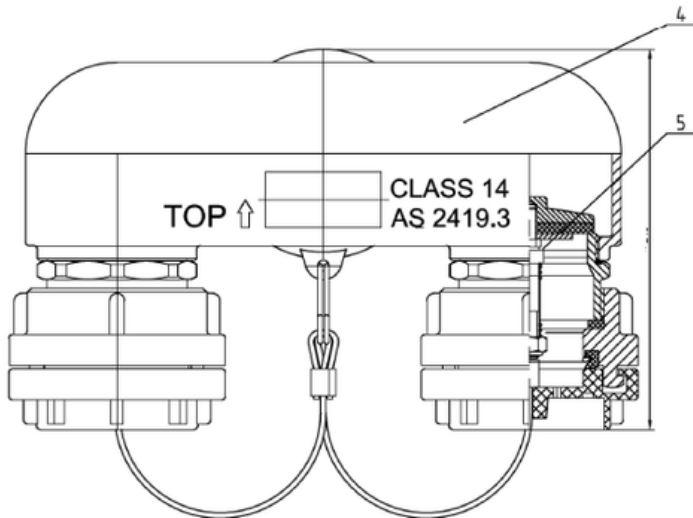


WOLF TANK BOOSTER - BOTTOM ENTRY 100NB



FEATURES

- Fully Approved to AS2419.3
- Stainless Steel Dual Booster- Bottom Outlet
- 65mm Storz Inlet Connection BSP Thread
- 100mm Roll Grooved Bottom Outlet
- Supplied with: plug and wire, drain tap, pressure gauge
- WaterMark number: W30029
- Working Pressure: 2100 kPa
- Maximum Working Pressure: 2650 kPa
- Onsite test Pressure: 3150 kPa
- Weight: 7.9Kg



Part	Material
Booster Body	Stainless Steel Grade 304
Inlet Connection	Forged Alloy
Pressure Gauge	Stainless Steel Grade 304 oil filled
Drain Valve	Stainless Steel Grade 304
Disc Facing	NBR Rubber
Blank Cup	UV Stabilised Plastic