

Material:

BS EN 1562 - Malleable Iron

Threads:

BSPT

Sizes Available:

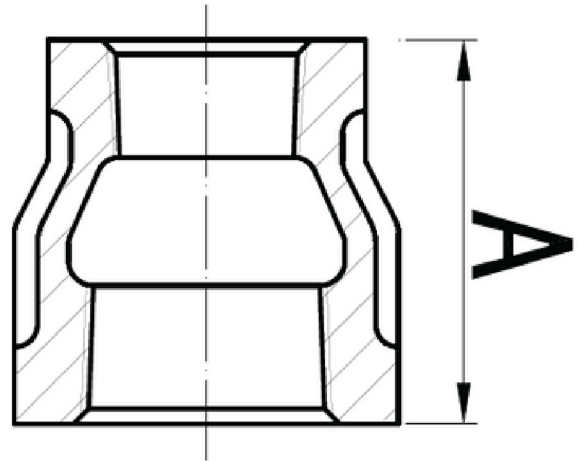
1/8" - 6"

Working Pressure:

PN16



FQ CODE	SIZE Inch	SIZE	Dimensions A (mm)
		mm	
GMSR86	1/4 x 1/8	8 x 6	27
GMSR106	3/8 x 1/8	10 x 6	30
GMSR108	3/8 x 1/4	10 x 8	30
GMSR156	1/2 x 1/8	15 x 6	36
GMSR158	1/2 x 1/4	15 x 8	36
GMSR1510	1/2 x 3/8	15 x 10	36
GMSR206	3/4 x 1/8	20 x 6	39
GMSR208	3/4 x 1/4	20 x 8	39
GMSR2010	3/4 x 3/8	20 x 10	39
GMSR2015	3/4 x 1/2	20 x 15	39
GMSR258	1 x 1/4	25 x 8	45
GMSR2510	1 x 3/8	25 x 10	45
GMSR2515	1 x 1/2	25 x 15	45
GMSR2520	1 x 3/4	25 x 20	45
GMSR328	1 1/4 x 1/4	32 x 8	50
GMSR3210	1 1/4 x 3/8	32 x 10	50
GMSR3215	1 1/4 x 1/2	32 x 15	50
GMSR3220	1 1/4 x 3/4	32 x 20	50
GMSR3225	1 1/4 x 1	32 x 25	50
GMSR408	1 1/2 x 1/4	40 x 8	55
GMSR4010	1 1/2 x 3/8	40 x 10	55
GMSR4015	1 1/2 x 1/2	40 x 15	55
GMSR4020	1 1/2 x 3/4	40 x 20	55
GMSR4025	1 1/2 x 1	40 x 25	55
GMSR4032	1 1/2 x 1 1/4	40 x 32	55
GMSR5015	2 x 1/2	50 x 15	65
GMSR5020	2 x 3/4	50 x 20	65
GMSR5025	2 x 1	50 x 25	65
GMSR5032	2 x 1 1/4	50 x 32	65
GMSR5040	2 x 1 1/2	50 x 40	74
GMSR6515	2 1/2 x 1/2	65 x 15	74
GMSR6520	2 1/2 x 3/4	65 x 20	74
GMSR6525	2 1/2 x 1	65 x 25	74
GMSR6532	2 1/2 x 1 1/4	65 x 32	74
GMSR6540	2 1/2 x 1 1/2	65 x 40	74
GMSR6550	2 1/2 x 2	65 x 50	74



Material:
BS EN 1562 - Malleable Iron

Threads:
BSPT

Sizes Available:
1/8" - 6"

Working Pressure:
PN16

FQ CODE	SIZE Inch	SIZE	Dimensions A (mm)
		mm	
GMSR8015	3 x 1/2	80 x 15	80
GMSR8020	3 x 3/4	80 x 20	80
GMSR8025	3 x 1	80 x 25	80
GMSR8032	3 x 1 1/4	80 x 32	80
GMSR8040	3 x 1 1/2	80 x 40	80
GMSR8050	3 x 2	80 x 50	80
GMSR8065	3 x 2 1/2	80 x 65	80
GMSR10025	4 x 1	100 x 25	94
GMSR10032	4 x 1 1/4	100 x 32	94
GMSR10040	4 x 1 1/2	100 x 40	94
GMSR10050	4 x 2	100 x 50	94
GMSR10065	4 x 2 1/2	100 x 65	94
GMSR10080	4 x 3	100 x 80	94
GMSR125100	5 x 4	125 x 100	122
GMSR15050	6 x 2	150 x 50	105
GMSR15080	6 x 3	150 x 80	105
GMSR150100	6 x 4	150 x 100	105

